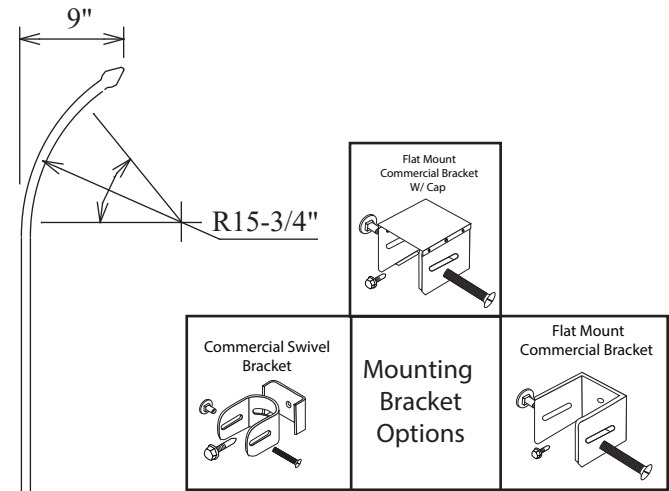
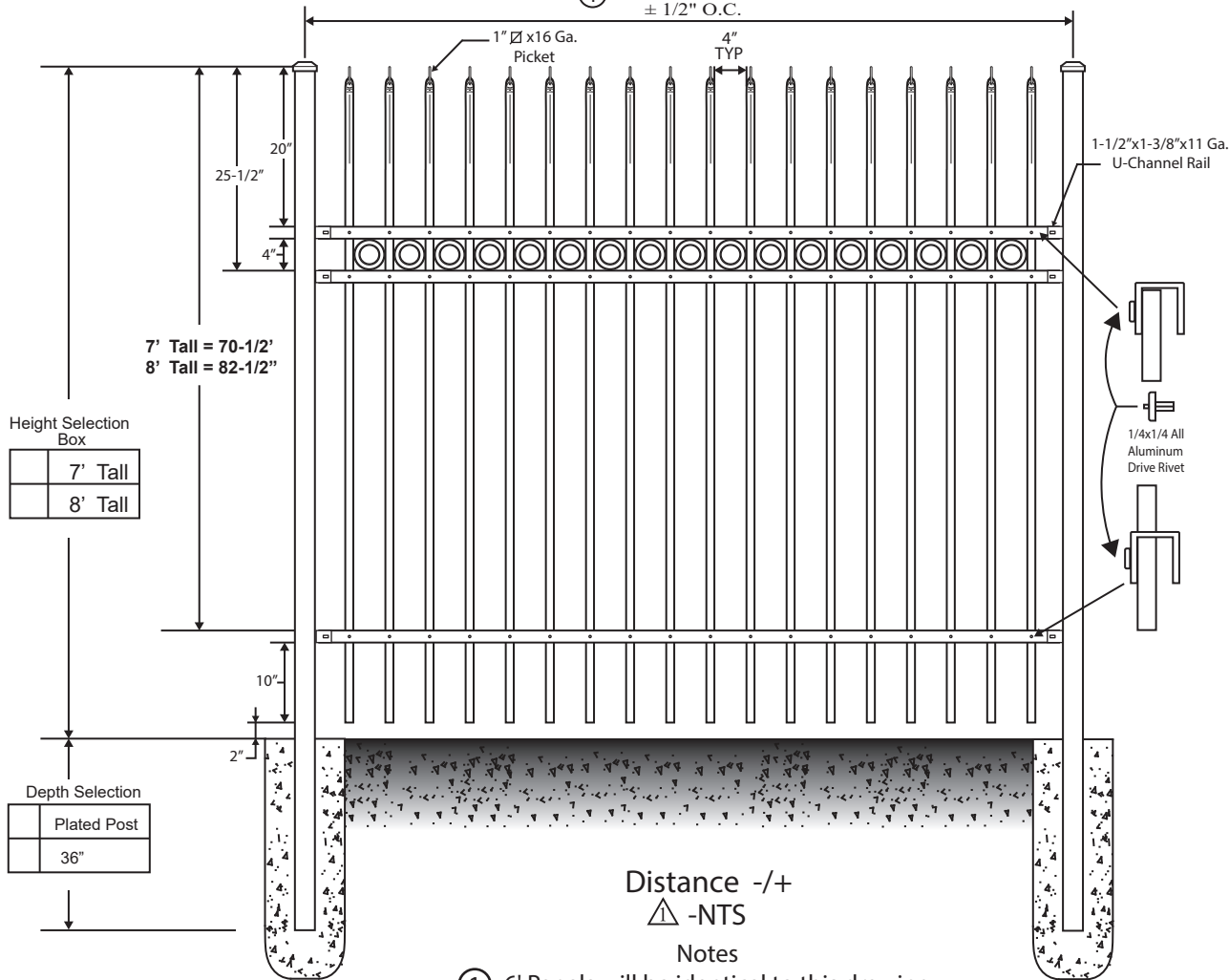


① See Post Setting Chart
± 1/2" O.C.



Post Selection Box

<input type="checkbox"/>	2" ∅ x 16 Ga. Post
<input type="checkbox"/>	2" ∅ x 14 Ga. Post
<input type="checkbox"/>	2-1/2" ∅ x 14 Ga. Post
<input type="checkbox"/>	2-1/2" ∅ x 12 Ga. Post
<input type="checkbox"/>	3" ∅ x 12 Ga. Post
<input type="checkbox"/>	4" ∅ x 11 Ga. Post
<input type="checkbox"/>	6" ∅ x 3/16" Wall. Post

Height Selection Box

<input type="checkbox"/>	7' Tall
<input type="checkbox"/>	8' Tall

Depth Selection

<input type="checkbox"/>	Plated Post
<input type="checkbox"/>	36"

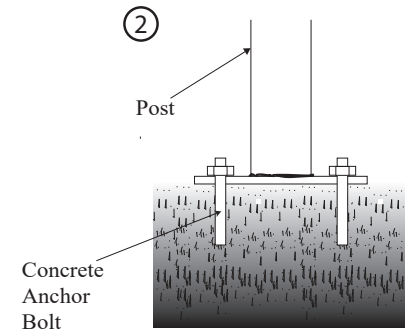
Distance +/-
⚠ -NTS

Notes

- ① 6' Panels will be identical to this drawing, except there will be 15 pickets and post spacing shown in post setting chart. ☒
- ② Plated post optional. All post will be mounted to center of plate unless offset is needed for installation

Plate Selection for Plated Post

Size	Thickness
4x4	
6x6	
8x8	
12x12	



☒ Post Setting Chart



POST SIZE	2" POSTS		2-1/2" POSTS		3" POSTS		4" POSTS		6" POSTS	
PANEL WIDTH	6'	8'	6'	8'	6'	8'	6'	8'	6'	8'
POST SETTINGS ± 1/2" O.C.	80-1/2"	95-1/2"	81"	96"	81-1/2"	96-1/2"	82-1/2"	97-1/2"	84-1/2"	99-1/2"

Project: SPS Centurion UD U-Channel Panel : Enforcer 3-Rail	
Approved By/Date Robert Curry	Revision NO. Effective Date
Drawing NO. UD-P-ENF-3RC-CS	