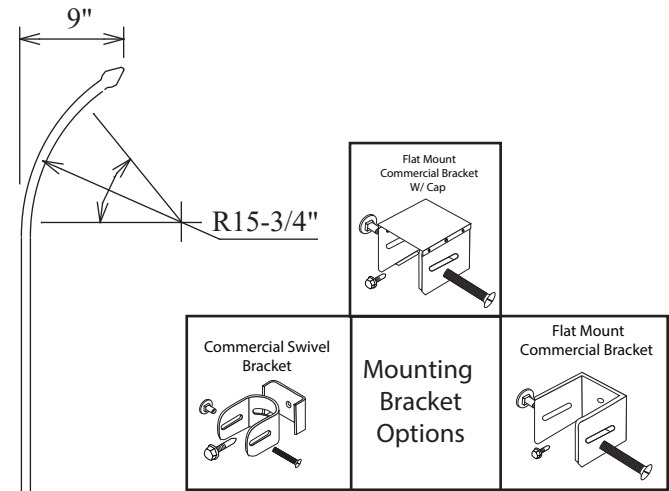
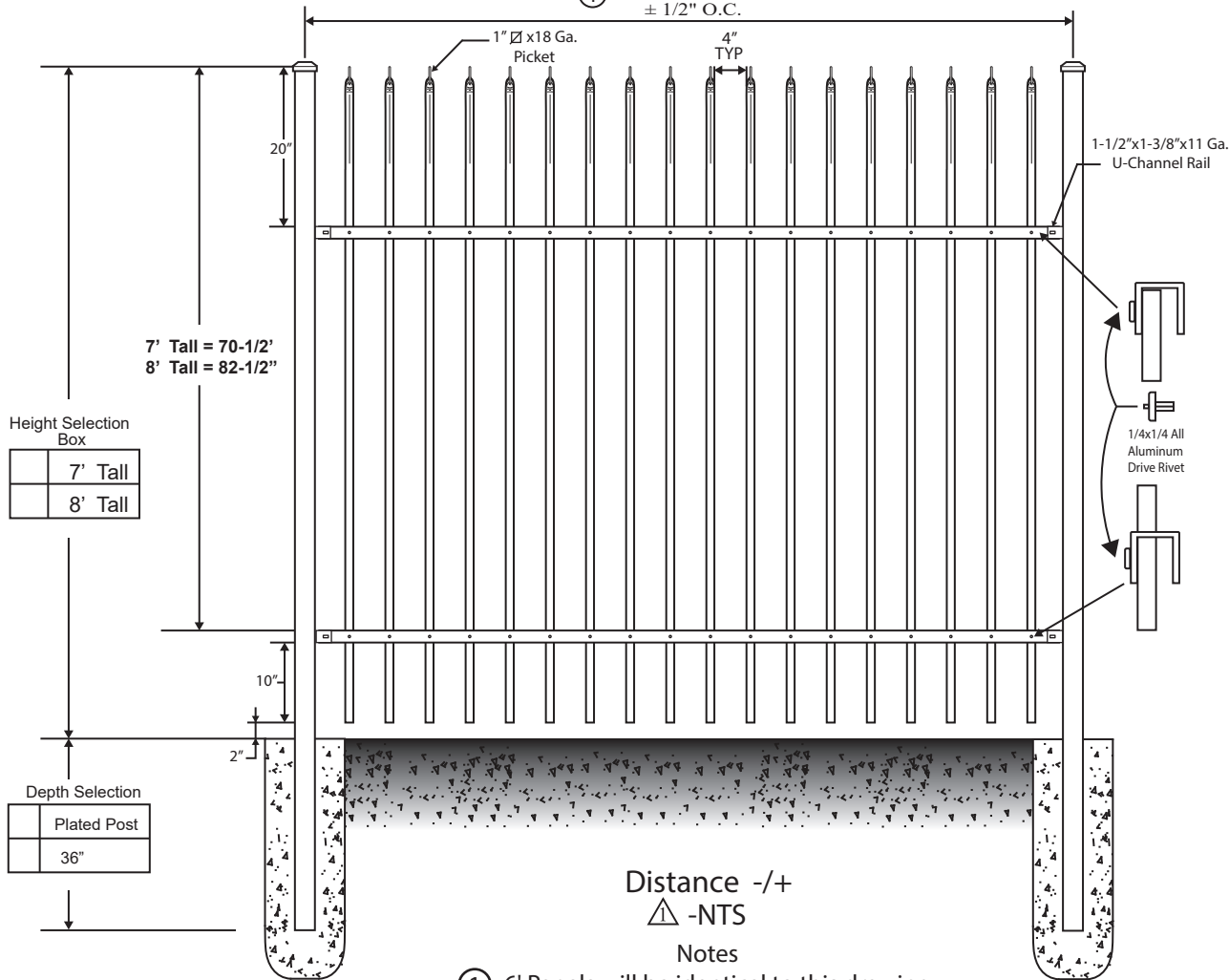


① See Post Setting Chart
± 1/2" O.C.



Post Selection Box

	2" ∅ x 16 Ga. Post
	2" ∅ x 14 Ga. Post
	2-1/2" ∅ x 14 Ga. Post
	2-1/2" ∅ x 12 Ga. Post
	3" ∅ x 12 Ga. Post
	4" ∅ x 11 Ga. Post
	6" ∅ x 3/16" Wall. Post

Height Selection Box

	7' Tall
	8' Tall

Depth Selection

	Plated Post
	36"

Distance +/-
⚠ -NTS

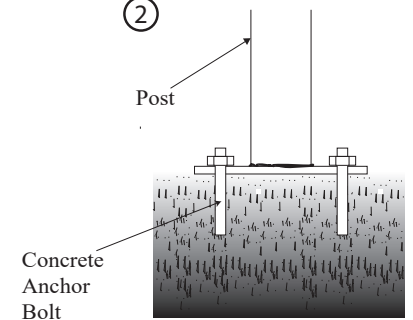
Notes

- ① 6' Panels will be identical to this drawing, except there will be 15 pickets and post spacing shown in post setting chart. ☒
- ② Plated post optional. All post will be mounted to center of plate unless offset is needed for installation

Plate Selection for Plated Post

Size	Thickness
4x4	
6x6	
8x8	
12x12	

②



☒ Post Setting Chart



POST SIZE	2" POSTS		2-1/2" POSTS		3" POSTS		4" POSTS		6" POSTS	
PANEL WIDTH	6'	8'	6'	8'	6'	8'	6'	8'	6'	8'
POST SETTINGS ± 1/2" O.C.	80-1/2"	95-1/2"	81"	96"	81-1/2"	96-1/2"	82-1/2"	97-1/2"	84-1/2"	99-1/2"

Project: SPS Centurion UC U-Channel Panel : Enforcer 2-Rail	
Approved By/Date: Robert Curry	Revision NO. Effective Date
Drawing NO. UC-P-ENF-2R-CS	