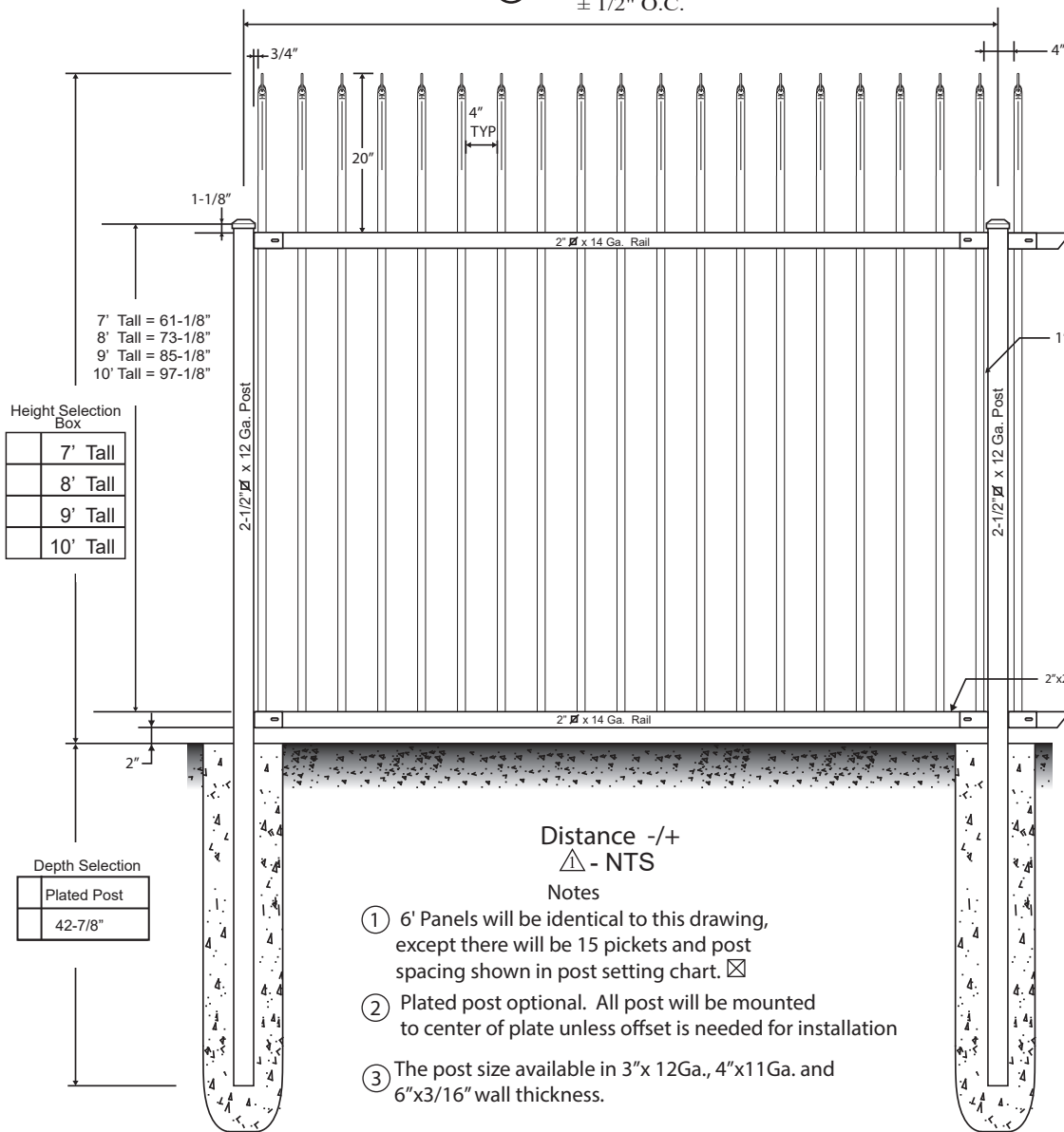


① See Post Setting Chart  
± 1/2" O.C.

Cent 4 Enforcer Post should only be 2" Longer than Panel Height



Post Selection Box

2-1/2" ∅ x 14 Ga. Post
2-1/2" ∅ x 12 Ga. Post
3" ∅ x 12 Ga. Post
4" ∅ x 11 Ga. Post
6" ∅ x 3/16" Wall. Post

Height Selection Box

7' Tall
8' Tall
9' Tall
10' Tall

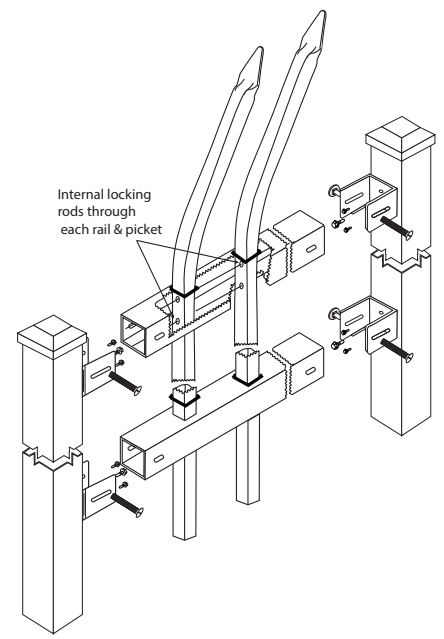
Depth Selection

Plated Post
42-7/8"

Industrial Swivel Bracket

Mounting Bracket Options

Flat Mount Industrial Bracket



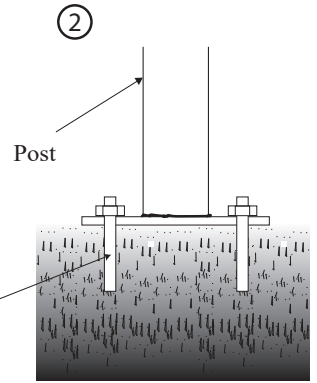
Distance +/-  
△ - NTS

Notes

- ① 6' Panels will be identical to this drawing, except there will be 15 pickets and post spacing shown in post setting chart. ☒
- ② Plated post optional. All post will be mounted to center of plate unless offset is needed for installation
- ③ The post size available in 3"x 12Ga., 4"x11Ga. and 6"x3/16" wall thickness.

Plate Selection for Plated Post

Size	Thickness
4x4	
6x6	
8x8	
12x12	



☒ Post Setting Chart

POST SIZE	2-1/2" POSTS		3" POSTS		4" POSTS		6" POSTS	
PANEL WIDTH	6'	8'	6'	8'	6'	8'	6'	8'
POST SETTINGS ± 1/2" O.C.	74-3/4"	94-5/8"	75-1/4"	95-1/8"	76-1/4"	96-1/8"	78-1/4"	98-1/8"



Project: SPS Centurion 4 Panel : Enforcer 2-Rail

Approved By: Robert Curry

Revision NO. \_\_\_\_\_

Effective Date \_\_\_\_\_

Drawing NO. C4-P-ENF-2R-FB