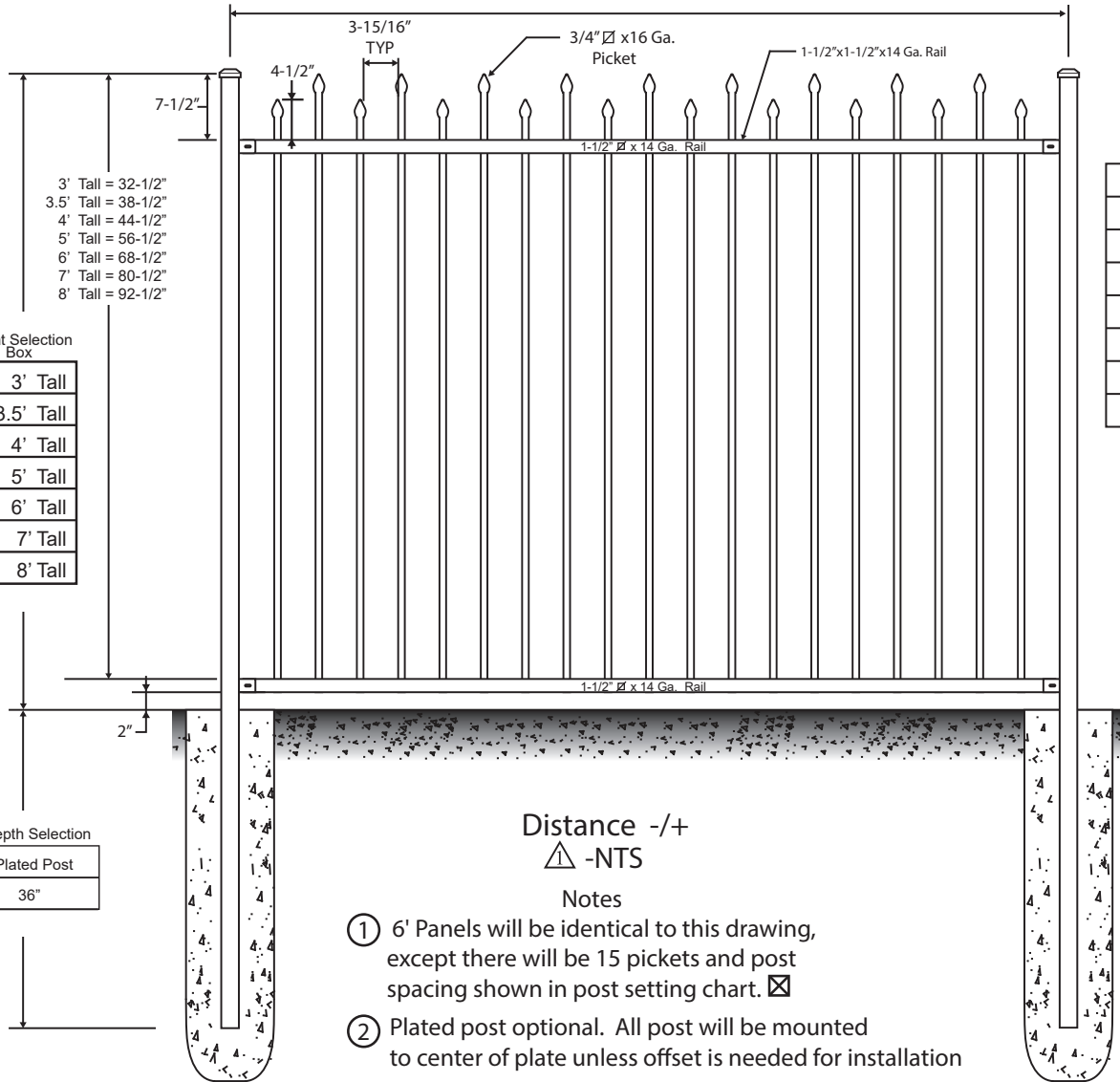


① See Post Setting Chart  
± 1/2" O.C.



Height Selection Box

3' Tall
3.5' Tall
4' Tall
5' Tall
6' Tall
7' Tall
8' Tall

Depth Selection

Plated Post
36"

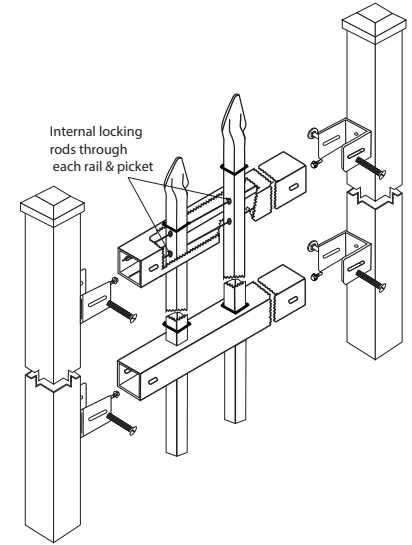
Distance +/-  
△ -NTS

Notes

- ① 6' Panels will be identical to this drawing, except there will be 15 pickets and post spacing shown in post setting chart. ☒
- ② Plated post optional. All post will be mounted to center of plate unless offset is needed for installation

Post Selection Box

2" ∅ x 16 Ga. Post
2" ∅ x 14 Ga. Post
2-1/2" ∅ x 16 Ga. Post
2-1/2" ∅ x 14 Ga. Post
2-1/2" ∅ x 12 Ga. Post
3" ∅ x 12 Ga. Post
4" ∅ x 11 Ga. Post
6" ∅ x 3/16" Wall. Post

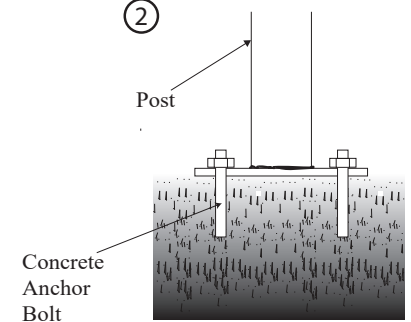


<b>Boulevard Line Bracket</b> 	<b>Mounting Bracket Options</b> Boulevard Brackets only work with 2" and 2-1/2" Post	<b>Boulevard End Bracket</b> 
<b>Boulevard Corner Bracket</b> 	<b>Commercial Swivel Bracket</b> 	<b>Flat Mount Commercial Bracket</b> 

Plate Selection for Plated Post

Size	Thickness
4x4	
6x6	
8x8	
12x12	

②



☒ Post Setting Chart



POST SIZE	2" POSTS		2-1/2" POSTS		3" POSTS		4" POSTS		6" POSTS	
PANEL WIDTH	6'	8'	6'	8'	6'	8'	6'	8'	6'	8'
POST SETTINGS ± 1/2" O.C.	76-1/4"	95"	76-3/4"	95-1/2"	77-1/4"	96"	78-1/4"	97"	80-1/4"	99"

Project:

SPS Centurion 2 Panel :  
Fortress 2-Rail

Approved By/Date

Revision NO.

Drawing NO.

Draws By:

Robert Curry

Effective Date

C2-Fortress-2R-FB