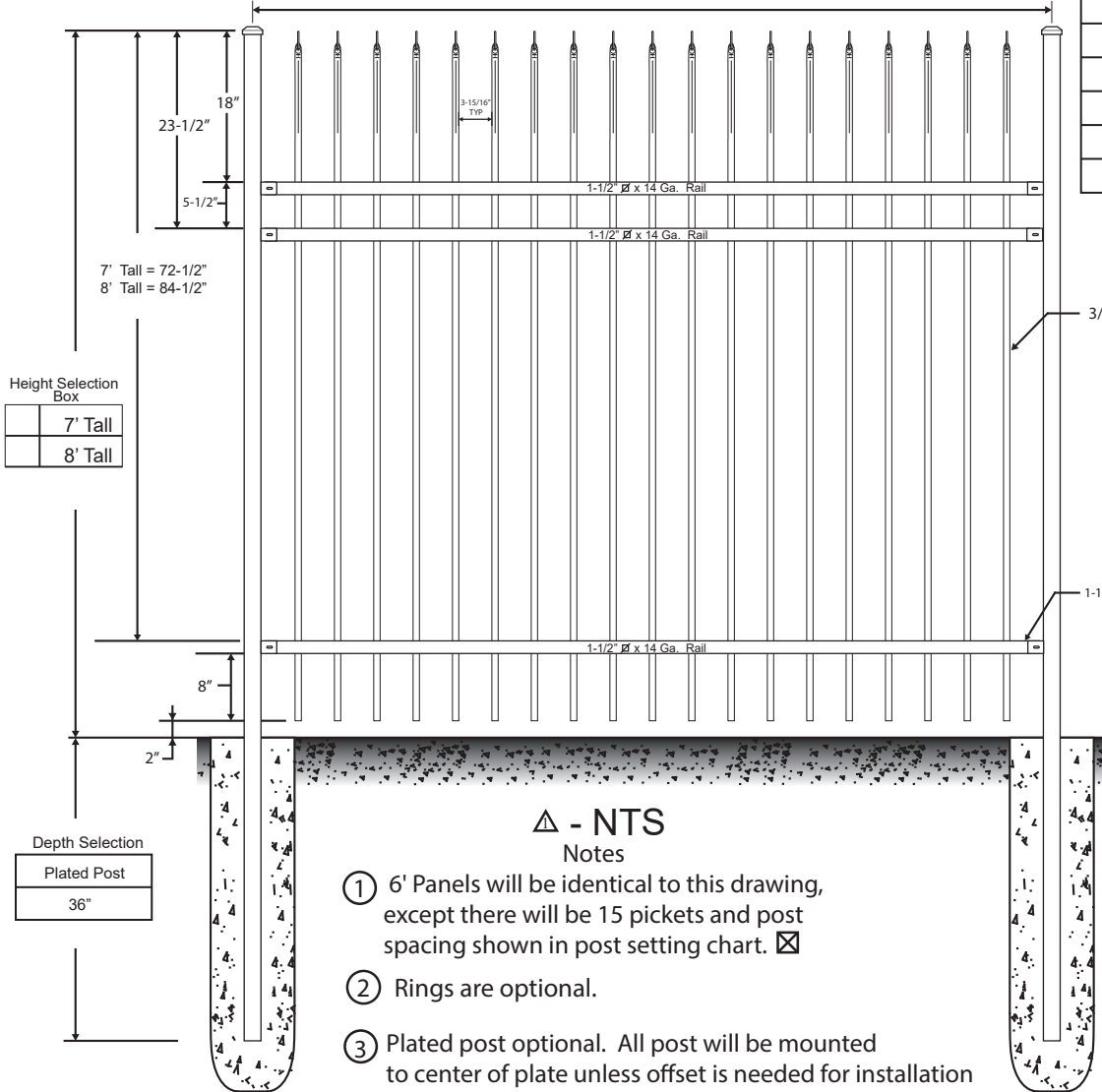


① See Post Setting Chart
± 1/2" O.C.



Height Selection Box

7' Tall
8' Tall

Depth Selection

Plated Post
36"

△ - NTS
Notes

- ① 6' Panels will be identical to this drawing, except there will be 15 pickets and post spacing shown in post setting chart. ☒
- ② Rings are optional.
- ③ Plated post optional. All post will be mounted to center of plate unless offset is needed for installation

Post Selection Box

2" Ø x 16 Ga. Post
2" Ø x 14 Ga. Post
2-1/2" Ø x 16 Ga. Post
2-1/2" Ø x 14 Ga. Post
2-1/2" Ø x 12 Ga. Post
3" Ø x 12 Ga. Post
4" Ø x 11 Ga. Post
6" Ø x 3/16" Wall. Post

<p>Boulevard Line Bracket</p>	<p>Mounting Bracket Options</p> <p>Boulevard Brackets only work with 2" and 2-1/2" Post</p>	<p>Boulevard End Bracket</p>
<p>Boulevard Corner Bracket</p>	<p>Commercial Swivel Bracket</p>	<p>Flat Mount Commercial Bracket</p>

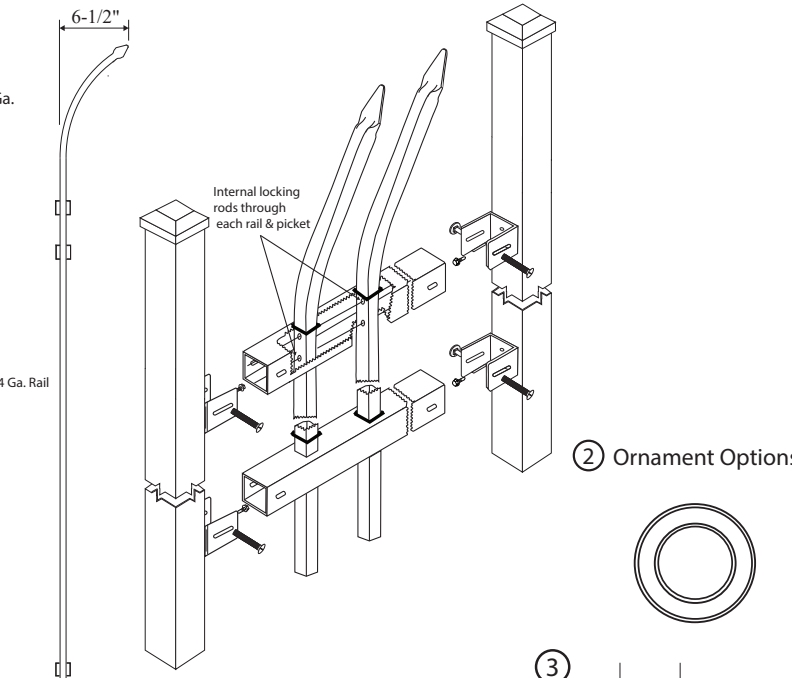
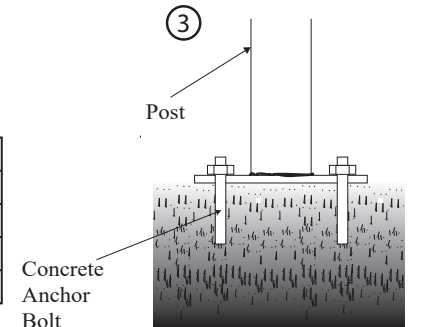


Plate Selection for Plated Post

Size	Thickness
4x4	
6x6	
8x8	
12x12	



☒ Post Setting Chart

POST SIZE	2" POSTS		2-1/2" POSTS		3" POSTS		4" POSTS		6" POSTS	
PANEL WIDTH	6'	8'	6'	8'	6'	8'	6'	8'	6'	8'
POST SETTINGS ± 1/2" O.C.	76-1/4"	95"	76-3/4"	95-1/2"	77-1/4"	96"	78-1/4"	97"	80-1/4"	99"



Project: SPS Centurion 2 Panel : Enforcer 3-Rail

Approved By Date	Revision NO.	Drawing NO. C2-Enforcer-3R
Drawn By: Robert Curry	Effective Date	